

SHELL INSULATION KITS

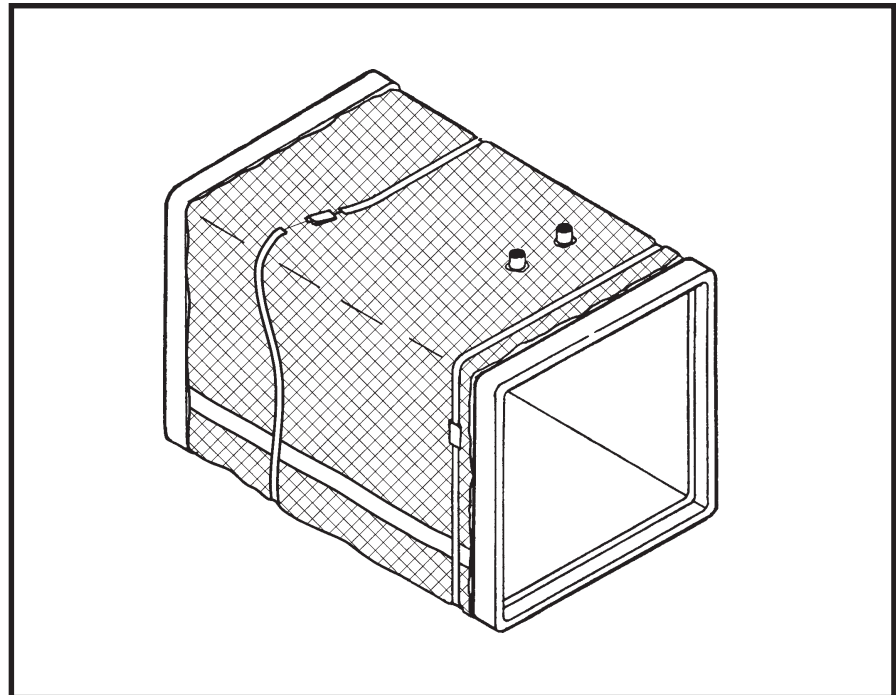
APPLICATION

Provide all components necessary to either over insulate or replace existing sterilizer pressure vessel insulation that may be damaged due to water/steam leaks, accidental tears or normal abuse through years of unit operation.

DESCRIPTION

Shell Insulation Kits are duplicates of factory original material. Kits include hi-temp foil covered fiberglass insulation, strapping, connectors and tape.

Shell Insulation Kits are available for the sizes of units listed below. Kits for specialized applications can be created upon request.



(Typical only - some details may vary.)

BENEFITS

- Improve aesthetics of the installation environment.
- Significantly reduce unit heat loss, reduces air conditioning costs.
- Allow maximum unit operating efficiency.

REFERENCE LIST

Eagle®, Medallion, Amsco®, Amscomatic and Floorloading Sterilizers

16" and 20" Model "J" Sterilizer (cylindrical)	P-751526-091
16x16" and 20x20" Single Door Sterilizer	P-764184-091
16x16" and 20x20" Double Door Sterilizer	P-764315-025
24x36 Single Door Sterilizer	P-763856-091
24x36 Double Door Sterilizer	P-759105-091
18x25x30" Amscomatic Sterilizer	P-762193-001

NOTE: Because of STERIS's continuing program of research and development, all specifications and descriptions are subject to change without notice. Obtain certified drawings for design and installation.

For further information and order placement, please contact: