



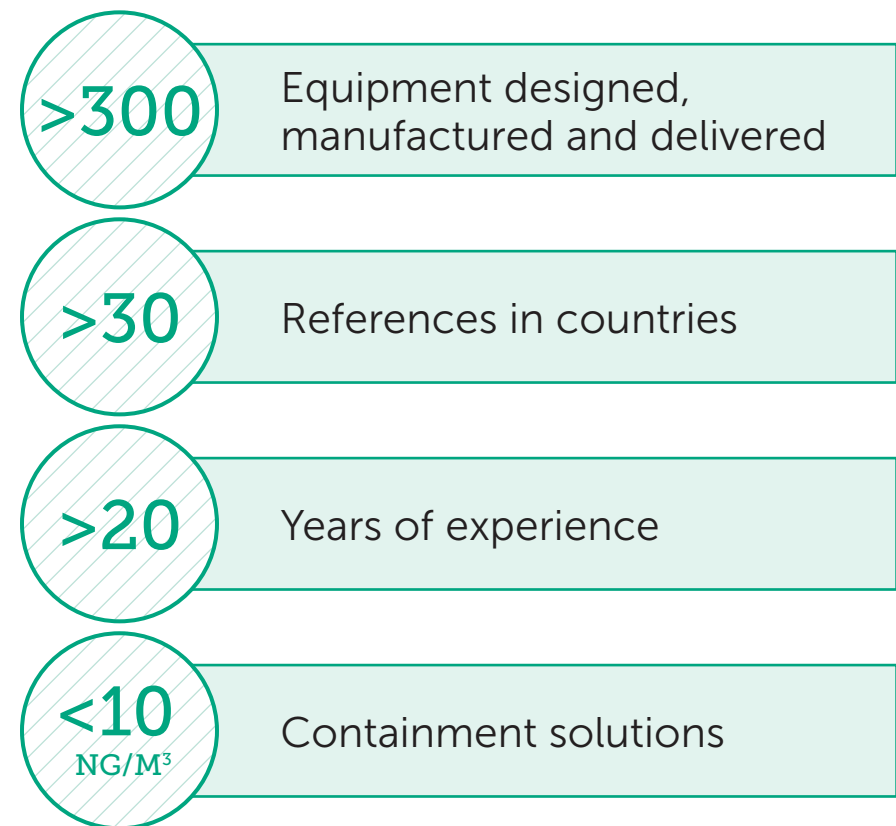
SCHEDIO

THE
POWER
OF
TOGETHER

About Us

Schedio was born from a group of **passionate and experienced specialists from the pharmaceutical industry** who launched the company and created something new and unique established on specific core values and commitments including **equality and diversity, work-life balance, entrepreneurship and continuous learning**, among others.

THE LIFEBLOOD OF SCHEDIO IS FOCUSED ON HAVING GREAT PARTNERSHIPS WITH CUSTOMERS, WHERE WE BELIEVE IN THE POWER OF WORKING TOGETHER AND MAKING A REAL DIFFERENCE TO YOUR BUSINESS.



Values Tree



THE POWER OF TOGETHER

Mankind evolves through individuals with common vision and different expertise that connect and innovate together. We are here to give continuity and **grow a network of cross functional talents who share our vision and support each other to bring new ideas to life.**

SOCIAL IMPACT

We believe Schedio or any company shall **aim to a higher scope within its social environment.** We look at progress humanity by enabling the individual to thrive, give back society more than we receive and create a precedent.

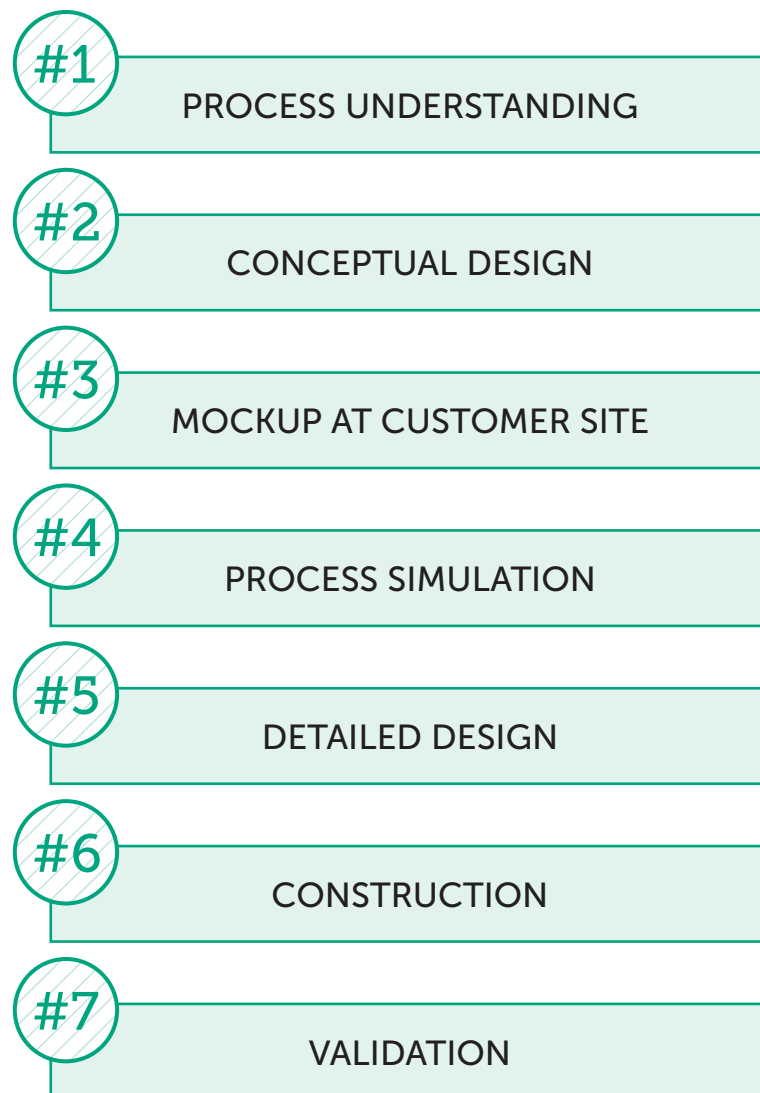
UNLEASHED CREATIVITY

We envision an environment that **encourages curiosity**, where creative thinkers from any discipline can and express themselves be the drivers of innovation and change.

Why Schedio

SAFETY AND QUALITY IS OUR #1 PRIORITY TO HELP OUR PARTNERS ACHIEVE LONG-TERM SUCCESS.

Schedio delivers equipment for **particle characterization, high containment isolators and operator / product protection** in combination with tailored solutions and process support. We help navigate your journey, all while staying on top of our commitments for excellence and long-term partnerships.



**LEVEL UP
WITH THE
POWER OF
TOGETHER**

SCHEIDIO SPIRAL MILLS

LAB LINE

TECHNICAL DETAILS	SSM 20	SSM 44
Air consumption at 7 [bar]	0,05 Nm ³ /min.	0,3 Nm ³ /min.
Feed rate Kg/h	0,001 min-0,5 max	0,01 min-0,6 max
Initial granulometry	500 max µm	500 max µm
Final fineness	0,5÷10 max ranges µm	0,5÷10 max ranges µm
Mill size	20 mm /1/2"	44 mm /1 3/4"
Dimensions (indicative)	200x330x680 mm	310x390x650 mm
Weight	~10 kg	~20 kg

PILOT LINE

TECHNICAL DETAILS	SSM 66	SSM 100	SSM 150	SOM 100	SDC 100 - Classifier
Air consumption at 7 [bar]	0,5 Nm ³ /min.	0,95 Nm ³ /min.	2,2 Nm ³ /min.	2,1 Nm ³ /min.	1,3 Nm ³ /min.
Feed rate Kg/h	0,05 min-1 max	0,25 min-5 max	1 min-15 max	0,5 min-5 max	0,5 min - 5 max
Initial granulometry	500 max µm	700 max µm	1000 max µm	5000 max µm	na
Final fineness	0,5÷10 max ranges µm	0,5÷10 max ranges µm	0,5÷10 max ranges µm	0,5÷10 max ranges µm	na
Mill size	66 mm / 2 1/2"	100 mm /4"	150 mm / 6"	100 mm/4"	na
Dimensions (indicative)	960x1450x1900 mm	960x1450x1900 mm	960x1450x1900 mm	1100x1000x1600 mm	1100x1000x1600 mm
Weight	~250 kg	~250 kg	~250 kg	~300 kg	~300 kg

COMPACT COMMERCIAL

TECHNICAL DETAILS	SSM 200	SSM 300	SOM 300	SDC 300 - Classifier
Air consumption at 7 [bar]	4 Nm ³ /min.	9 Nm ³ /min.	6,7 Nm ³ /min.	3,0 Nm ³ /min.
Feed rate Kg/h	1 min-30 max	5 min-100 max	5 min-100 max	1 min - 100 max
Initial granulometry	1000 max µm	1000 max µm	5000 max µm	na
Final fineness	0,5÷10 max ranges µm	0,5÷10 max ranges µm	0,5÷10 max ranges µm	na
Mill size	200 mm / 8"	300 mm / 12"	300 mm/12"	na
Dimensions (indicative)	2300x1150x2000 mm	2300x1150x2000 mm	2000x3000x4000 mm	2000x3000x4000 mm
Weight	~350 kg	~350 kg	~1200 kg	~1200 kg

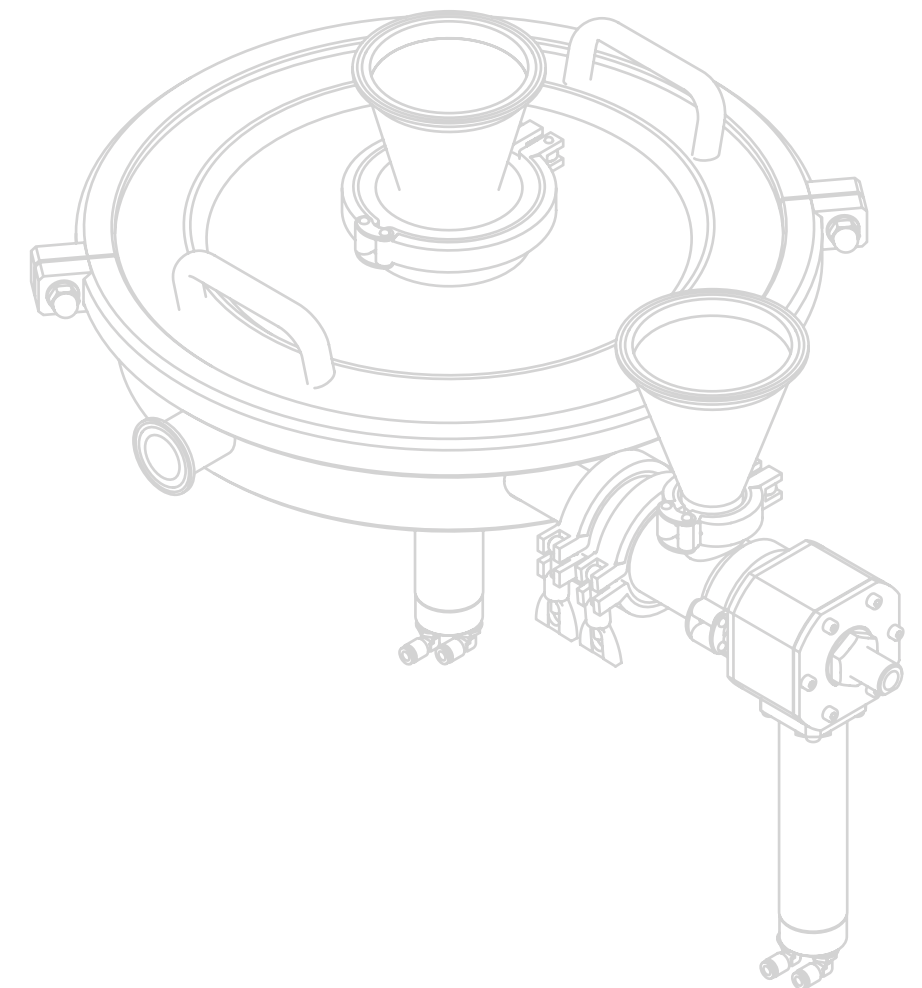
LARG COMMERCIAL

TECHNICAL DETAILS	SSM 300	SSM 500	SSM 600	SOM 300	SOM 400
Air consumption at 7 [bar]	9 Nm ³ /min.	24 Nm ³ /min.	34 Nm ³ /min.	3,6 Nm ³ /min.	16 Nm ³ /min.
Feed rate Kg/h	5 min-100 max	10 min-500 max	15 min-700 max	5 min-100 max	8 min-300 max
Initial granulometry	1000 max µm	1000 max µm	1000 max µm	5000 max µm	5000 max µm
Final fineness	0,5÷10 max ranges µm	0,5÷10 max ranges µm	0,5÷10 max ranges µm	0,5÷10 max ranges µm	0,5÷10 max ranges µm
Mill size	300 mm/12"	500 mm/ 20"	600 mm/ 24"	300 mm/12"	400 mm/16"
Dimensions (indicative)	2500x3000x4000 mm	2700x3000x4000 mm	2700x3000x4000	2000x3000x4000 mm	2500x3000x4000 mm
Weight	~1100 kg	~1250 kg	~1400 kg	~1200 kg	~1500 kg

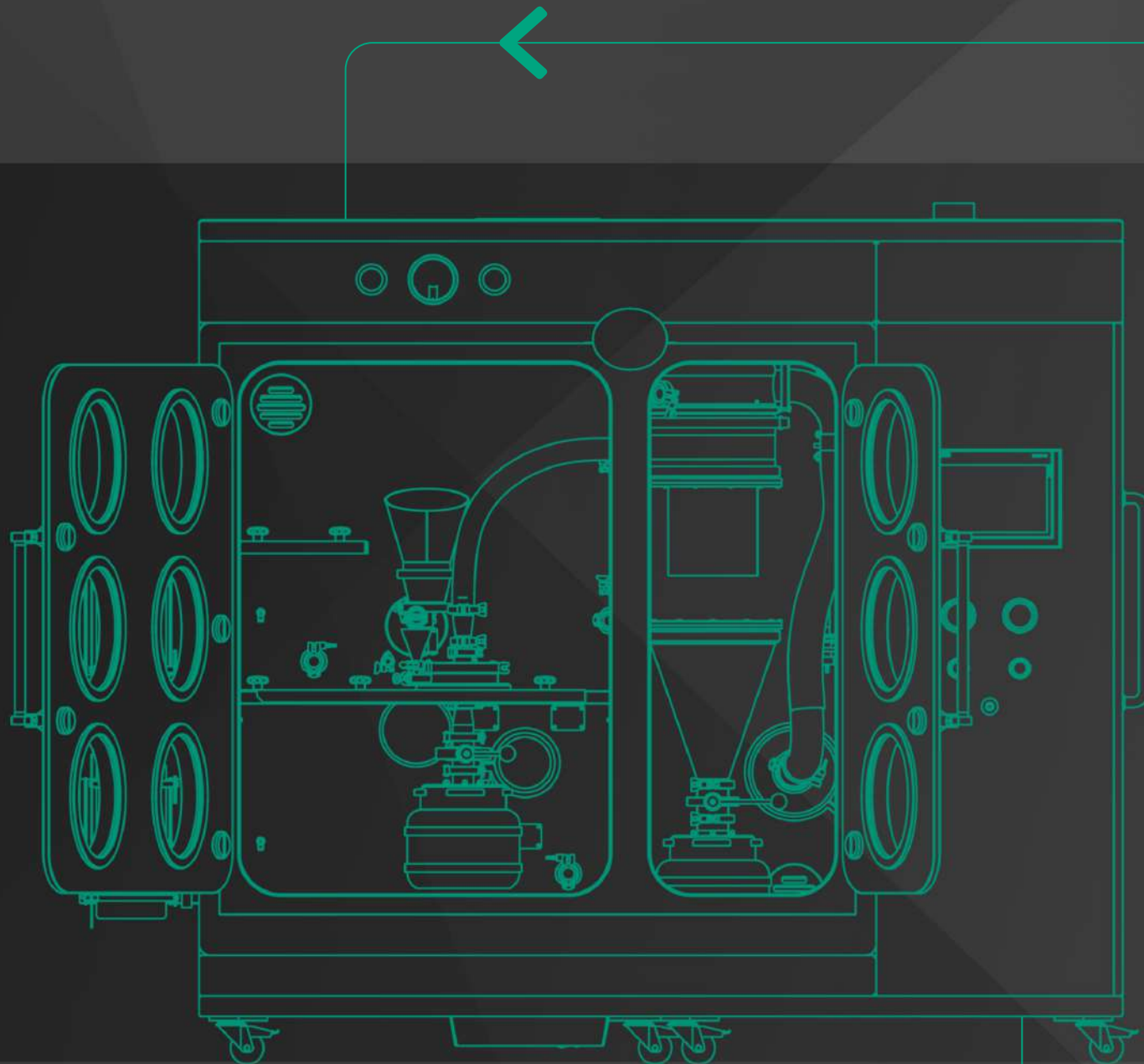
SCHEIDIO MECHANICAL MILLS

PIN AND HAMMER MILLS

TECHNICAL DETAILS	SPM100	SPM160	SPM250
Electric power	2.2 kW	5 kW	7.5 kW
Feed rate Kg/h	1 min-50 max	3 min-150 max	5 min-300 max
Initial granulometry	<5mm	<5mm	<5mm
Final fineness	50-500 µm	50-500 µm	50-500 µm
Mill size	100 mm/4"	160 mm /6"	250 mm/10"
Dimensions (indicative)	1100x1000x1600 mm	2000x3000x4000 mm	2000x3000x4000 mm
Weight	~300 kg	~1100 kg	~1300 kg



High Containment Isolators



**HIGHLY
ADVANCED
CONTAINMENT
SOLUTIONS**

WITH THE DEMAND FOR HIGH POTENT API (HPAPI) CONSTANTLY INCREASING IT IS KEY TO DEVELOP SPECIFIC SOLUTIONS FOR THE PROTECTION OF THE OPERATOR AGAINST OPERATIVE EXPOSURE LEVELS (OEL) THAT BECOME MORE AND MORE CHALLENGING EACH YEAR.

Micronization is the most challenging process to be contained due to its heavy creation of ultra-fine particles. Our innovative technology and expertise help us with fully tailored and top-tier containment solutions, specifically designed according to process and product characteristics.

Thanks to these solutions, we are able to provide contained jet mills reaching an OEL of up to 10 nanograms/m³ (0.01 microgram /m³), and other contained processes (e.g. reactor loading with an OEL of up to 1 nanogram /m³ (0.001 microgram/m³).

Aftersales Program

WE ARE COMMITTED TO LONG TERM PARTNERSHIPS WITH ALL OUR CUSTOMERS, BY BROADENING THE BOUNDARIES OF SUPPORT, AND ASSIST OUR PARTNERS IN MULTIPLE WAYS, WITH EQUIPMENT, PROCESS, KNOWLEDGE AND A CONTINUOUS PRESENCE THROUGHOUT TIME.

Schedio offers a **comprehensive Aftersales Program that is essential to ensure that your equipment operates safely, reliably, and with maximum efficiency over its entire life cycle.**

In fact, our commitment to our customers does not end when the project is delivered, but is built into the ongoing support Schedio is able to offer in the supply of spare parts, remote and on-site assistance, programmed preventive maintenance, Training Continuum™ of your operators and assistance in optimizing your process. Our assistance and training packages include final reports and certificates that could be integrated in the quality system of your company.



Revamping Services

IN RECENT YEARS MANY OF OUR CUSTOMERS HAVE UNDERTAKEN REAL "GREEN" PATHS, AND HAVE INVOLVED US IN VARIOUS REVAMPING ACTIVITIES.

At Schedio, we believe in environmentally-conscious operations. Our offer includes innovative technical solutions for your existing plants, the implementation of compliance/alignment with new regulatory requirements (powder containment, EPO levels, AtEx, PED) and performance improvement. We also work on impact assessment on validation files (DMF), revamping from electromechanical systems to PLC (upgrade of the system) and integration with DCS/SCADA.

OUR EXPERIENCE IN REVAMPING RUNS DEEP, BOTH IN THE IMPLEMENTATION OF CONTAINMENT SYSTEMS AND IMPROVED EFFICIENCY IN THE GRINDING/MICRONIZATION PROCESS.

SOME APPLICATIONS IN CONTAINMENT SYSTEMS:

- Reactor loading
- Filter Dryer
- Vacuum Dryer
- Lyophilizer
- Vial filling machine
- Powder conveying systems (rigid and flexible)
- Dispensing units
- R&D laboratories and pilot plants
- Micronisation plant (small, medium and large scale)
- Micronisation plant exhaust (double valve, continuous liner, high containment valves, laminar flow hoods)

APPLICATIONS TO IMPROVE GRINDING/MICRONISATION EFFICIENCY:

- Implementation of multiple pieces of equipment in parallel on the same production line
- Combination of different grinding/micronisation technologies
- Implementation of line process control
- Special solutions to reduce electrostatic problems in micronised powders
- Special solutions for hygroscopicity problems in micronised powders

WE TAKE
CARE ABOUT
OUR PLANET
TOGETHER

Schedio SA
via Gaggiolo 12
CH-6855 Stabio

t. +41 91 228 06 51
info@schedio.ch

www.schedio.ch

Schedio SA

via Gaggiolo 12
CH-6855 Stabio

t. +41 91 228 06 51
info@schedio.ch

www.schedio.ch